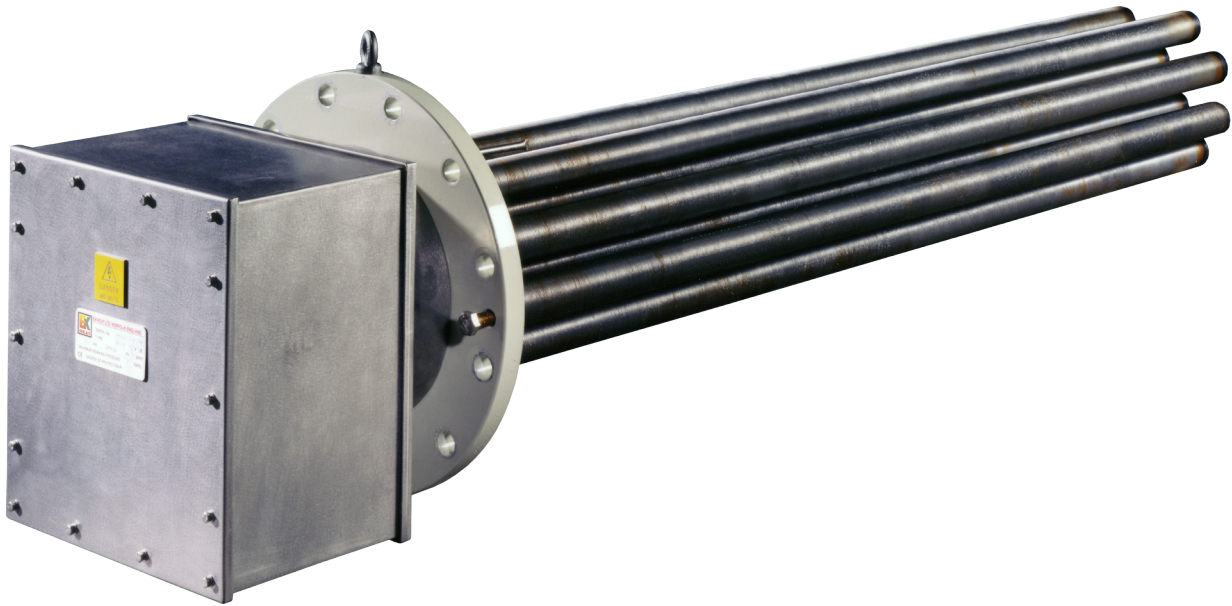


## HC Immersion Heaters

The EXHEAT HC range of removable ceramic core immersion heaters is suitable for all process fluids which are non-corrosive to the materials of construction. They provide a safe, low density, electrical heating method for fuel oil, lube oil, water and other bulk liquid storage tanks.

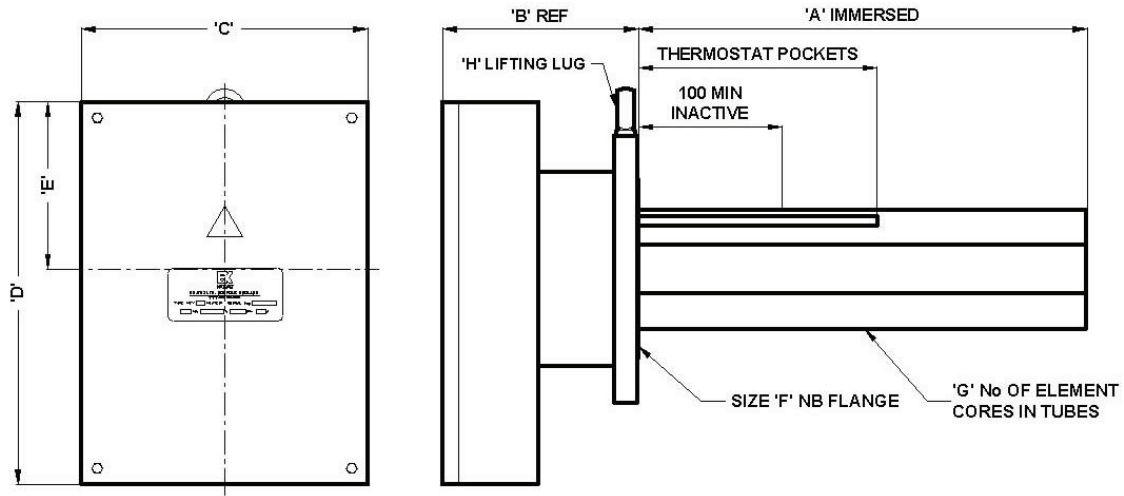


### FEATURES

- Removable ceramic core elements can be replaced without drain down
- Any flange specifications accommodated
- Can be supplied with the terminal box mounted away from the flange, for high process temperature
- Designed for horizontal installation only. Vertical mounting version available on request
- Weatherproof terminal enclosure to IP55
- Internal control thermostat(s) and overtemperature thermostat
- Materials engineered to meet process requirements

### TYPICAL APPLICATIONS

- Boiler equipment
- Bulk liquid storage tanks
- Calorifier packages
- Cleaning and rinsing equipment
- Fuel, lube oil
- Heat transfer systems
- Hot water storage tanks



Model	Dimensions (mm)								Stages	Core	
	A	B	C	D	E	F	G	H		Type	Qty
HC 1/3	750	204	260	360	170	100	1	M12	1	A	1
HC 2/6	750	205	300	400	175	150	2	M12	1	A	2
HC 3/9	750	205	300	400	175	150	3	M12	1	A	3
HC 3/12	950	205	300	400	175	150	3	M12	1	B	3
HC 3/15	1150	205	300	400	175	150	3	M12	1	C	3
HC 3/18	1350	205	300	400	175	150	3	M12	1	D	3
HC 6/24	946	209	350	500	230	200	6	M12	2 EQUAL	B	6
HC 6/30	1146	209	350	500	230	200	6	M12	2 EQUAL	C	6
HC 6/36	1346	209	350	500	230	200	6	M12	2 EQUAL	D	6
HC 6/42	1546	209	350	500	230	200	6	M16	2 EQUAL	E	6
HC 6/48	1746	209	350	500	230	200	6	M16	2 EQUAL	F	6
HC 9/54	1344	211	400	560	235	250	9	M16	3 EQUAL	D	9
HC 9/63	1544	211	400	560	235	250	9	M16	3 EQUAL	E	9
HC 9/72	1744	211	400	560	235	250	9	M16	3 EQUAL	F	9
HC 9/81	1944	211	400	560	235	250	9	M20	3 EQUAL	G	9
HC 12/96	1743	212	450	600	235	300	12	M20	3 EQUAL	F	12
HC 12/108	1943	212	450	600	235	300	12	M20	3 EQUAL	G	12
HC 12/120	2143	212	450	600	235	300	12	M20	3 EQUAL	H	12
HC 12/144	2543	212	450	600	235	300	12	M20	3 EQUAL	I	12
HC 15/180	2538	217	150	600	235	300	15	M20	3 RATIO 2/2/1	I	15

<b>Enclosure</b>	Folded steel finished in textured paint colour grey RAL 7032
<b>Element</b>	Removable ceramic core, comprising high quality 80/20 nickel chrome resistance wire, contained within ceramic formers
<b>Element Sheath</b>	A choice of carbon steel, monel, inconel, incoloy, stainless steel or titanium sheath, depending upon the process application
<b>Controls</b>	One over-temperature protection thermostat is fitted as standard, together with one control thermostat per heater stage
<b>Mounting</b>	Any industry standard flange in any material can be specified, within the limits of the design parameters. Heaters can be either 'direct-on' or 'stand-off'
<b>Rating</b>	Unlimited within the design parameters
<b>Voltage</b>	Any electrical supply up to 690V